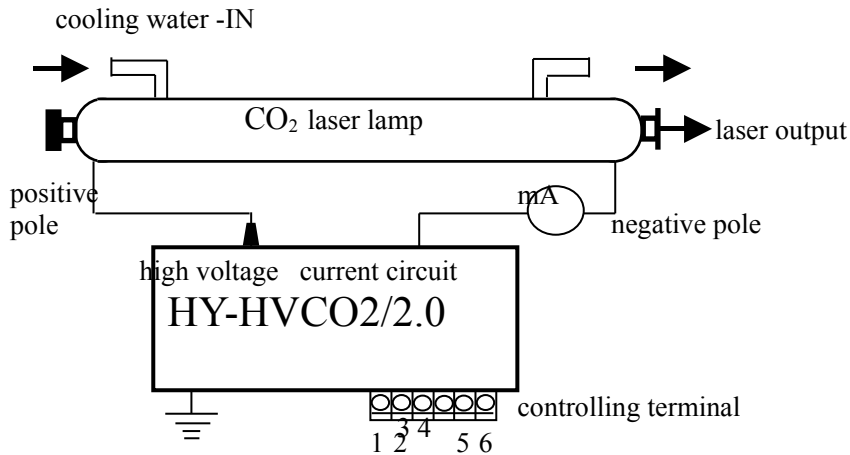
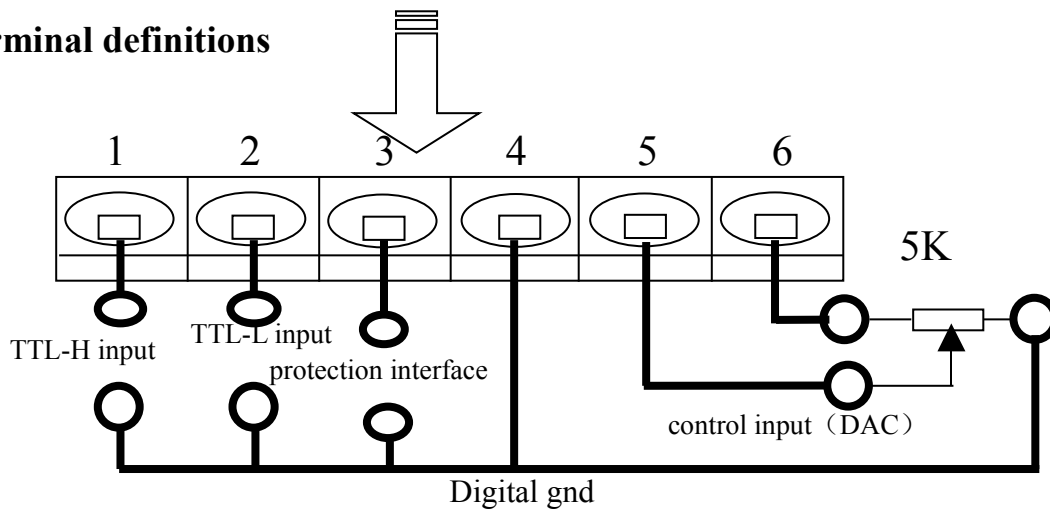


Connection between power supply and laser device



Terminal definitions

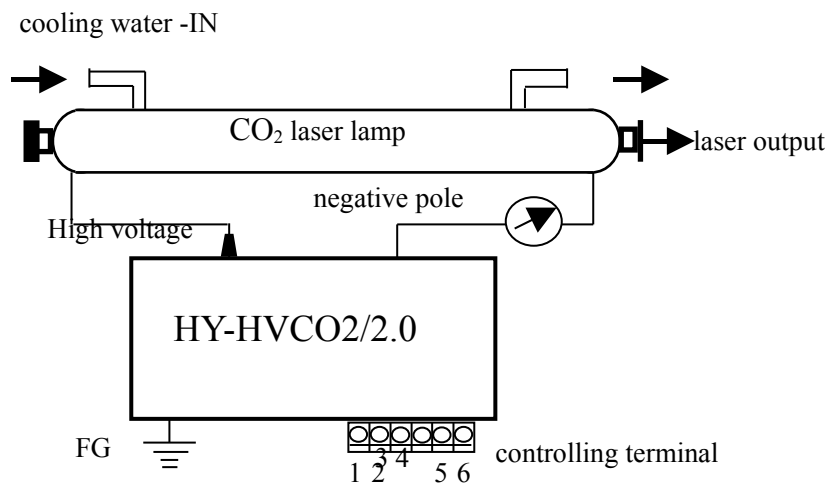


Function of controlling terminal:

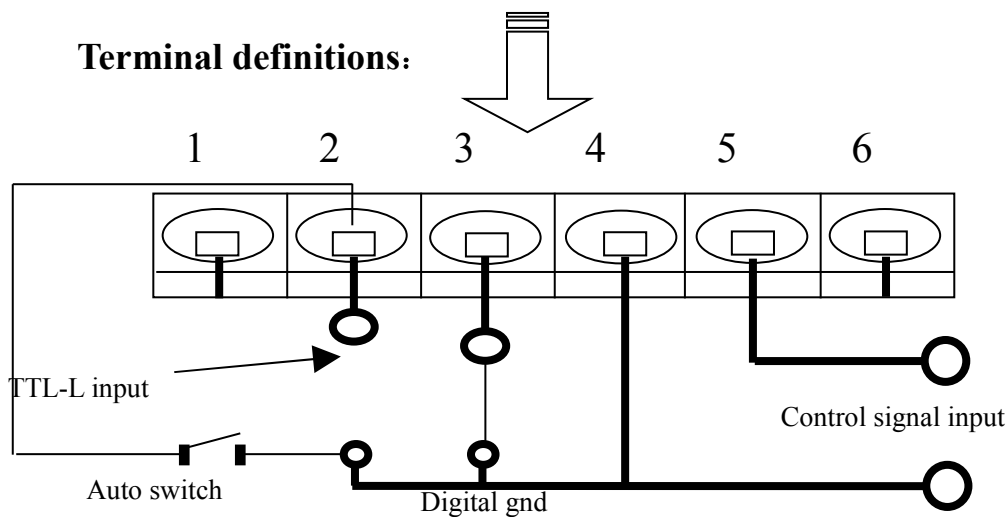
TTL-H input	TTL-L input	control input (DAC)	Power of laser output
unconnected	low ($<0.3V$)	0-5V	Pmin - Pmax
	high ($>3V$)	0-5V	0
low ($<0.3V$)	unconnected	0-5V	0
high ($>3V$)		0-5V	Pmin - Pmax
Protection interface – open circuit		0-5V	0

figure 3

Connection between power supply and laser device:



Terminal definitions:



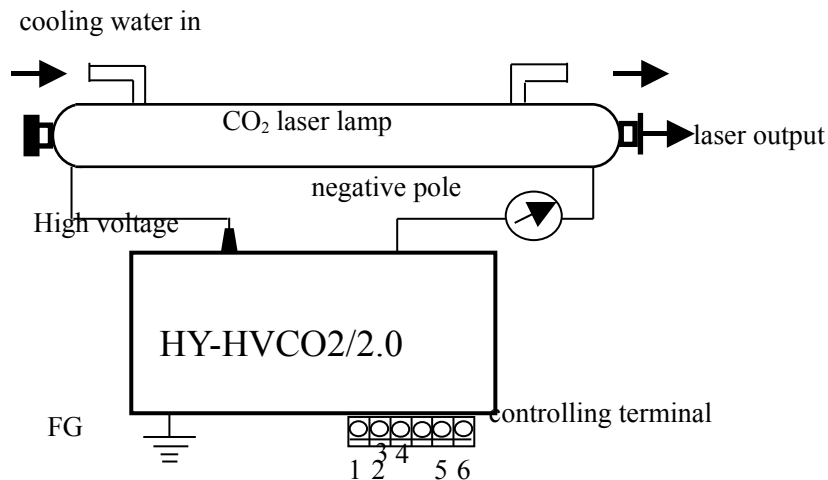
Reamrk: two options for laser energy output control signal

A : digital control(PWM control): frequency: from 20kHz to 50kHz, magnitude :5V or 3.3V(to be specified when placing order)

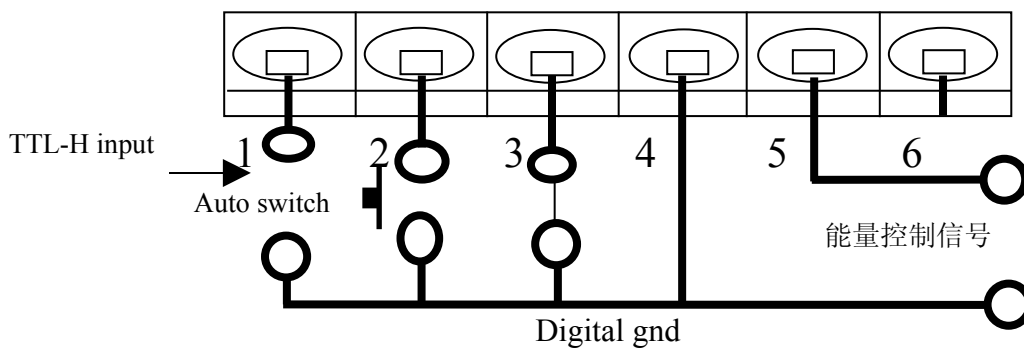
B: Analogue signal control: 0-5V analogue signal

FIG.4 TTL-L control of laser output

Connection between power supply and laser device:



Terminal definitions:



Remark: two options for laser energy output control signal:

- A : Digital control(PWM control): frequency: from 20kHz to 50kHz, magnitude :5V or 3.3V(to be specified when placing order)
- B: Analogue signal control: 0-5V analogue signal

FIG.5 TTL-H control of laser output